

A1X(W) Quick Start Guide

Version: 2.0

2017-3-9

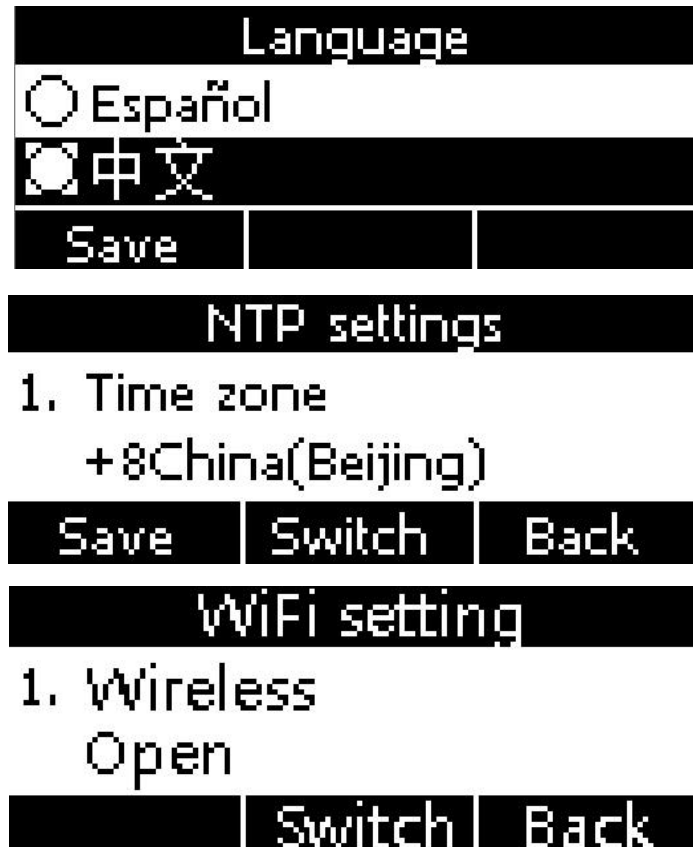
Content

- 1. Installation and access**.....3
 - 1.1 Power up.....3
 - 1.2 Connection.....3
 - 1.3 Installation instruction.....4
 - 1.4 Wiring instruction.....10
 - 1.5 Check IP.....10
 - 1.6 Enter the Setting of telephone.....11
- 2. Quick Configuration**.....11
 - 2.1 Enter the Setting of phone.....11
 - 2.2 Account Configuration.....13
 - 2.3 Configure the WiFi on the WEB.....14

1. Installation and access

1.1 Power up

- 1) Plug in the power jack with DC 5V/1000mA or POE
- 2) It will display Welcome logo and the Status led will be lighted once.
- 3) After absolute boot up, User can select the Language and time manually, and choose to connect the WIFI or not in the WIFI phone.



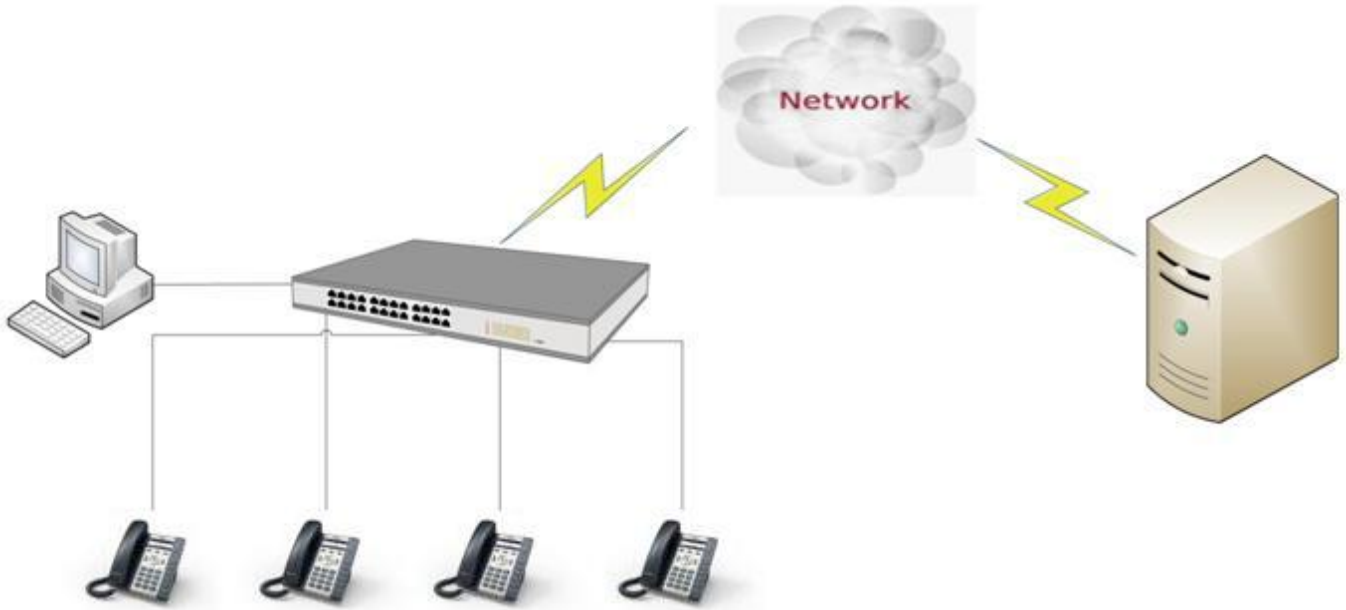
1.2 Connection

1) Connect to network

Connect network cable:

A1X(W) is able to be connected with network via LAN port. Under the Bridge mode, other devices (Laptop, IP phone) is able to access network via the PC port of A1X(W).

Look as below scene:



Connect WiFi:

Look as below scene:



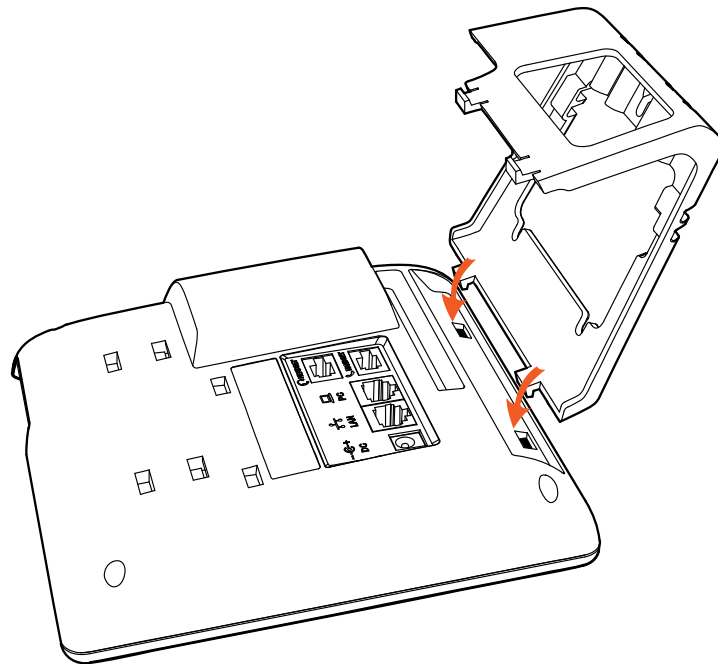
1. Press **"Menu"**→**"WIFI Settings"**→**"Switch"**, open the WiFi connection mode.
2. Please move the navigation key to check the WIFI you want to connect, Press **"Connect"**, then input the correct WiFi password.
3. Return to the standby interface, and phone successful connected to the WiFi.

1.3 Installation instruction

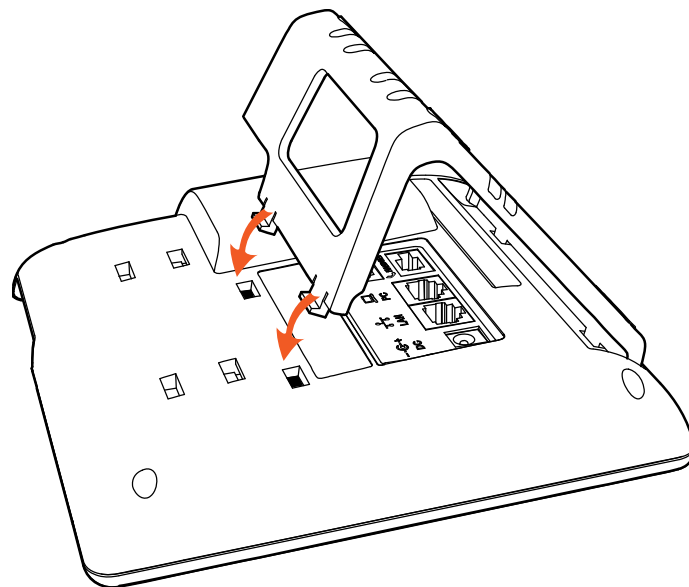
1. Stand bracket installation instruction

- A. Put the bottom side of the IP phone upside and press one-side joints of stand bracket into the

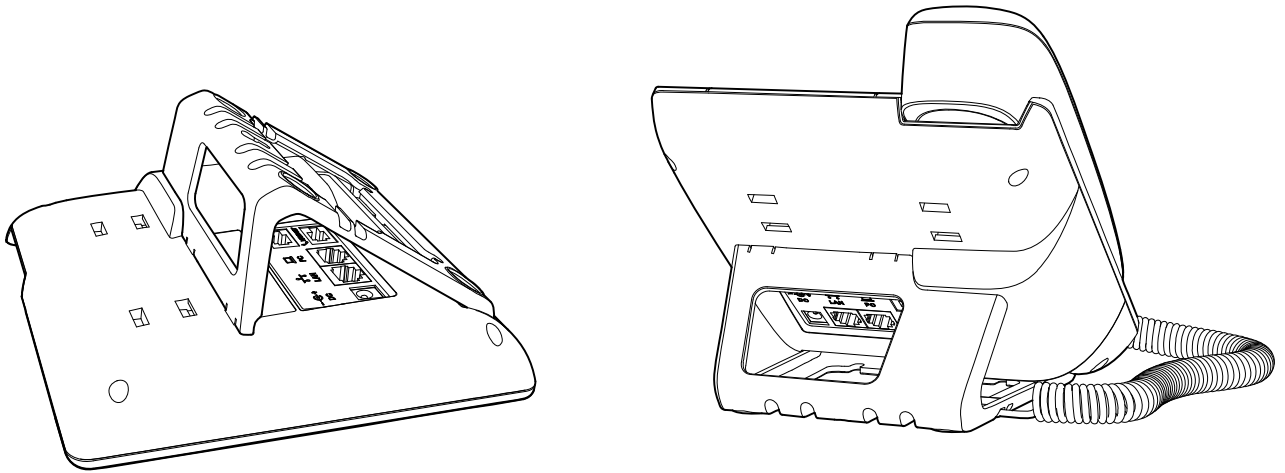
slot, please refer the picture as below:



B. Press the other side joints into the slot according to the direction of the arrow:

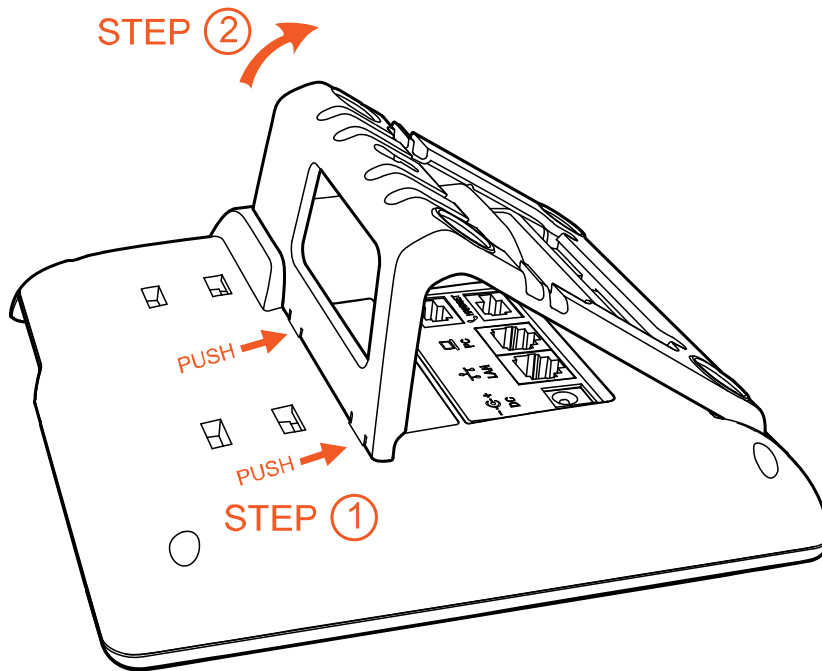


C. It is the right picture after fixing the stand bracket below:



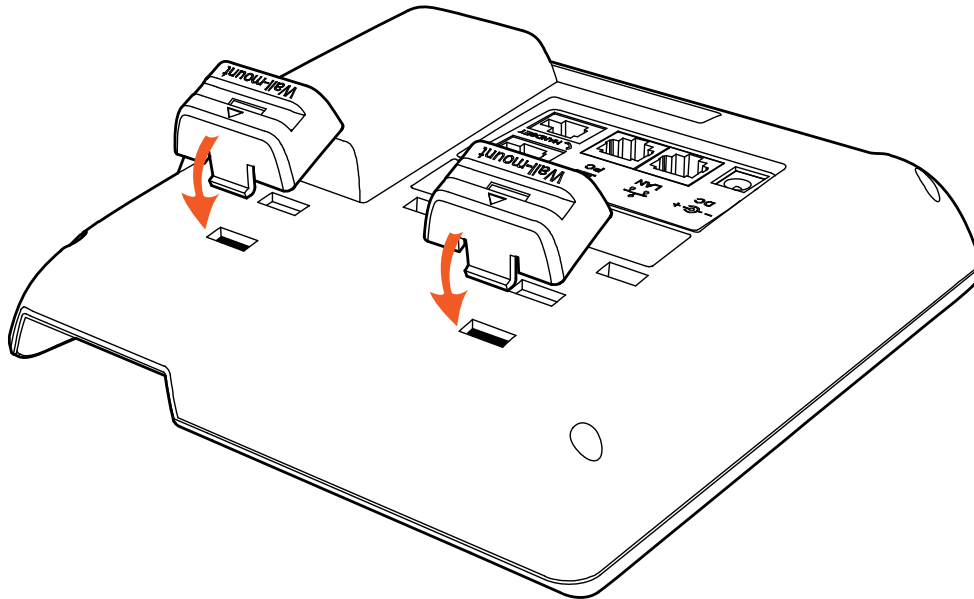
D. Disassemble the stand bracket:

Push the spring joint of stand and pull the stand according to the direction of the arrow. When the joints are pulled out of the slot, you can take off the stand bracket

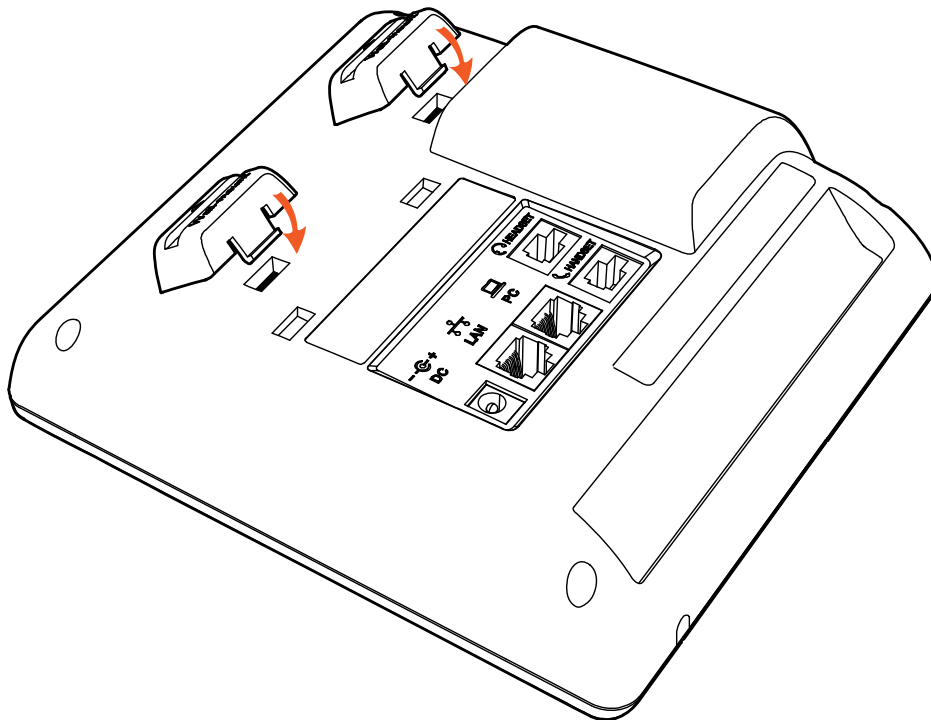


2. Wall-hung Installation

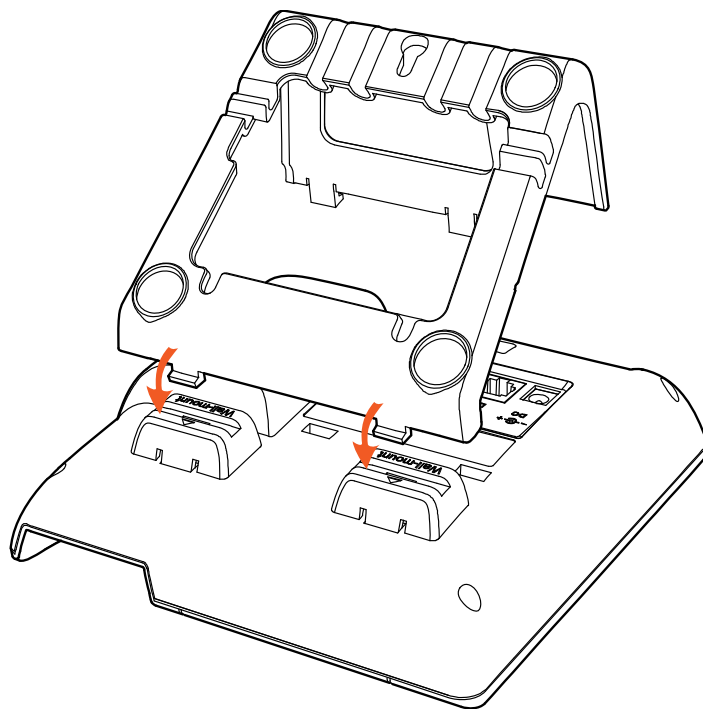
A. Put the bottom side of the IP phone upside and press one-side joints of wall-hung stand bracket into the slot, please refer the picture as below:



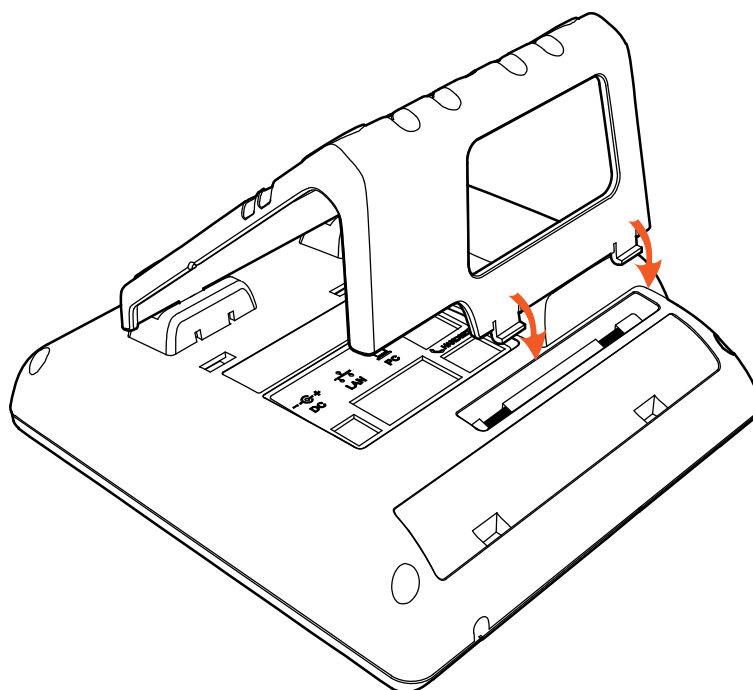
B. Press the other side joints into the slot according to the direction of the arrow



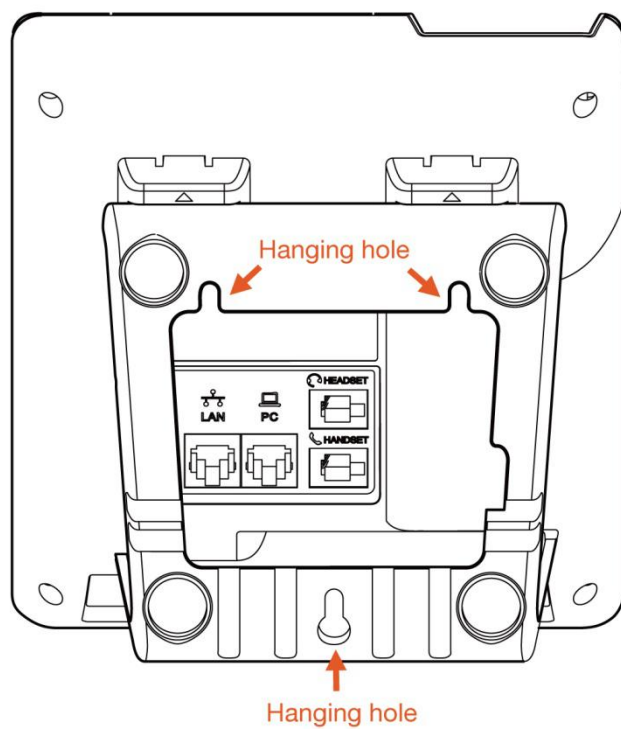
C. After install the wall-hung stand bracket, press one-side joints of stand bracket into the slot, please refer to the picture as below:



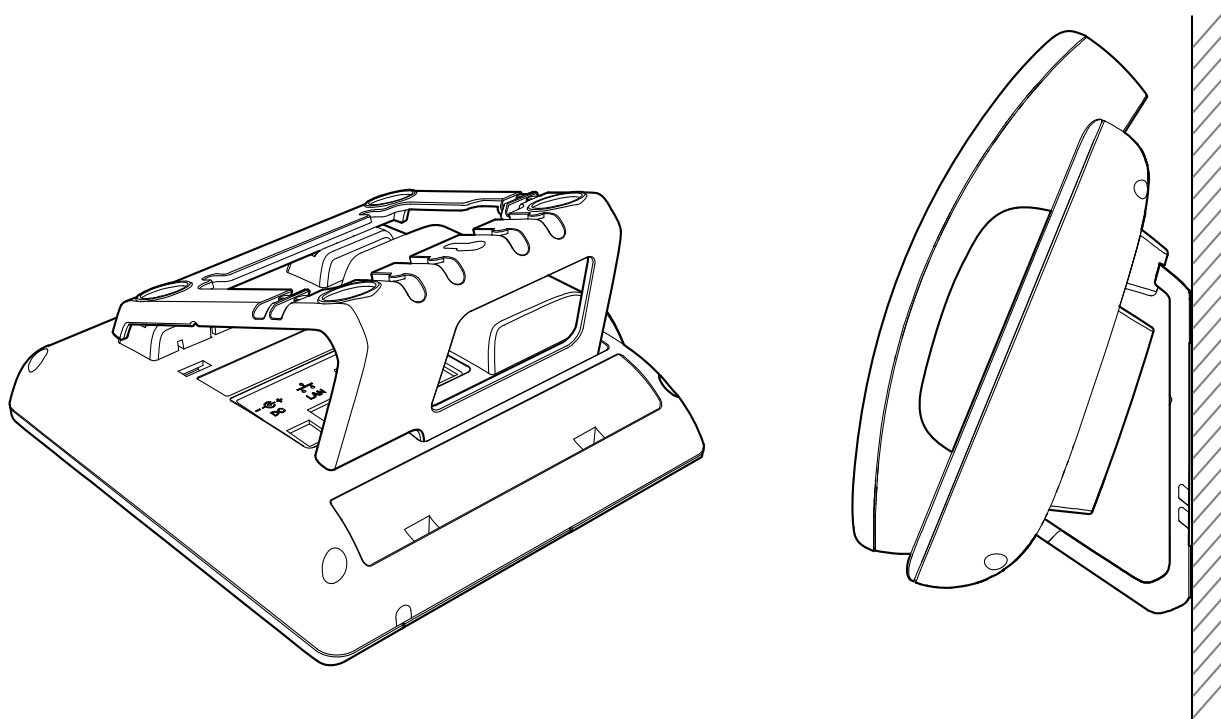
D. Press the other side joints into the slot according to the direction of the arrow



E. Knock in nails or screws on the wall according to the proportion of the distance between the hanging holes as below:

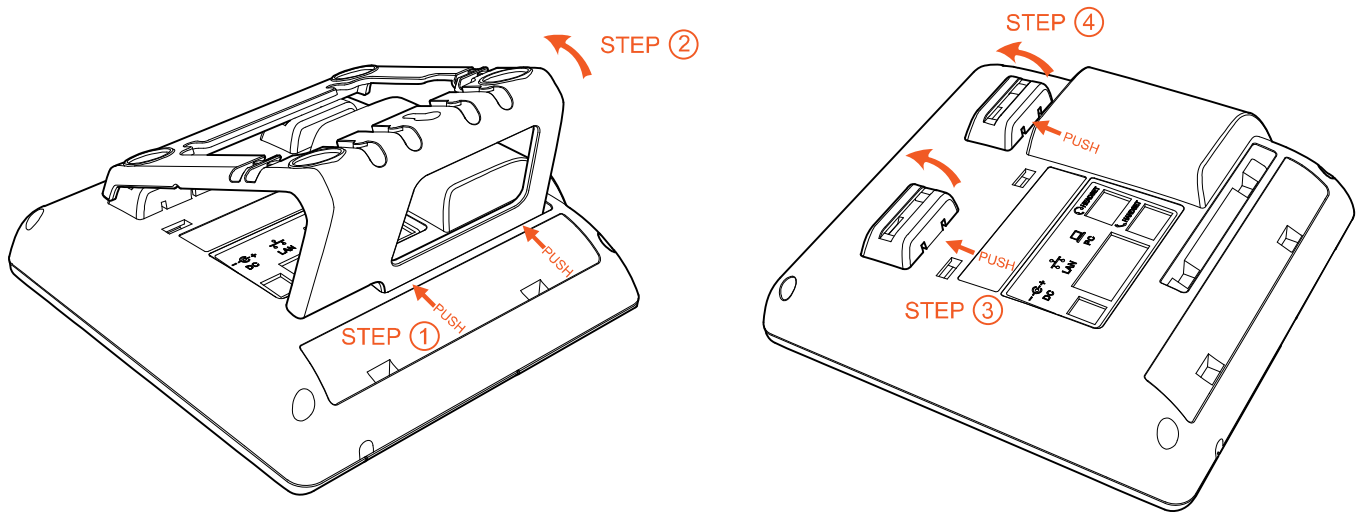


F. It is the right picture after fixing the stand bracket below:



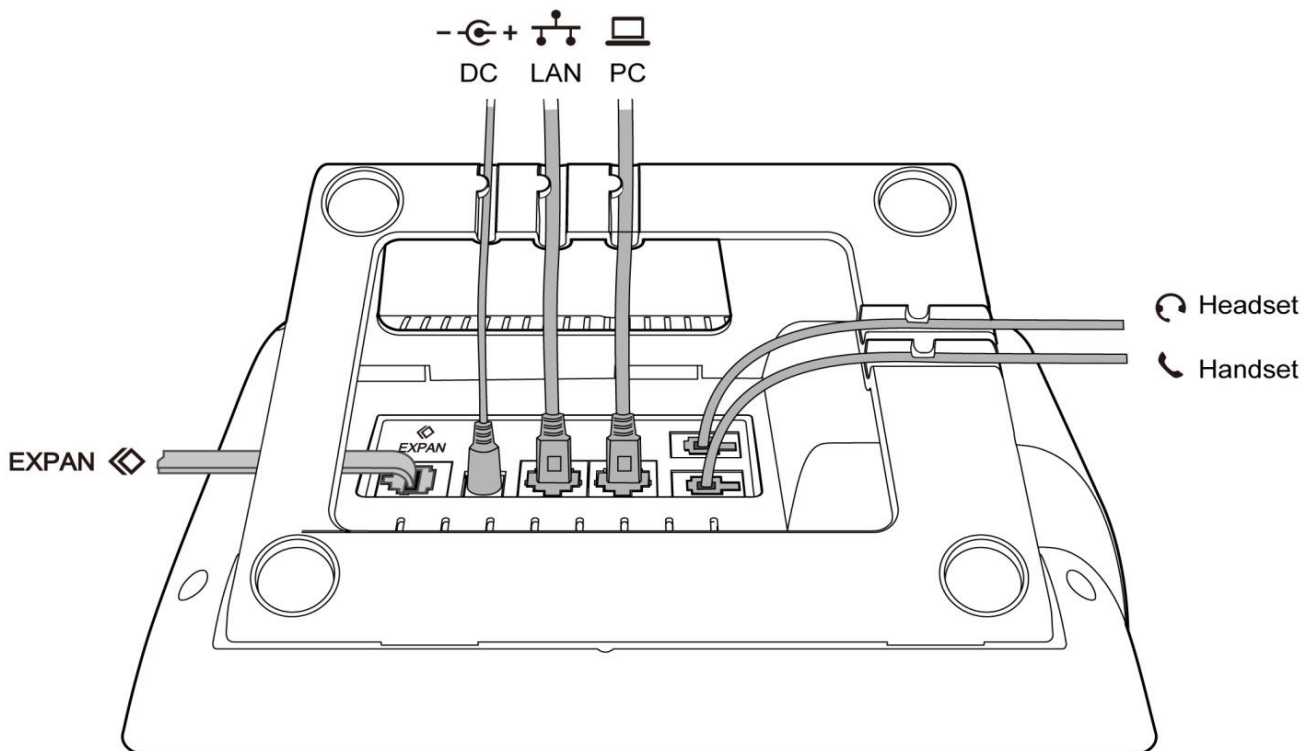
G. Disassemble the stand bracket:

Push the spring joint of stand and pull the stand according to the direction of the arrow. According to the direction of the arrow:




1.4 Wiring instruction

After stand bracket fixed, please plug in all wires or cables as below:



1.5 Check IP

The phone uses DHCP mode by default,

You can review its current IP address by pressing  key when it is powered on and connected to the network.

1.6 Enter the Setting of telephone

Connect the PC and telephone in the same network, input the IP address of telephone at a browser and press "Enter", you will be required to input the username and password to access the web page. The username/password as below:

Username	Password	Description
admin	admin	For Administrators
user	user	For General Users

2. Quick Configuration

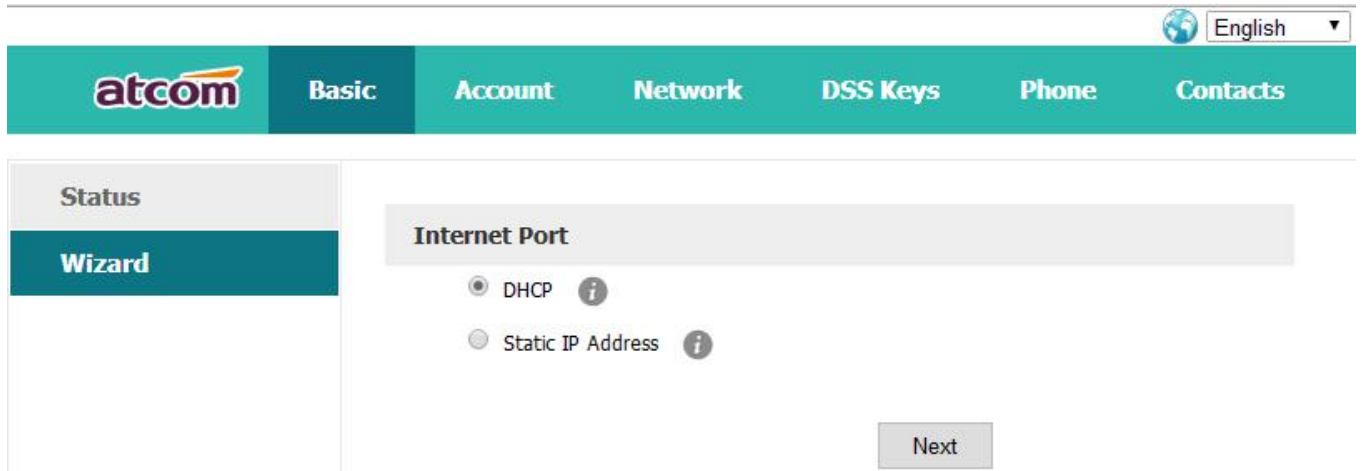
After login to the webpage, you're able to set the phone by quick configuration. Configure it quickly via Web: **"Basic"→"Wizard"**

User should set the below two parts in turn,

- 1.Network——LAN Port
- 2.Account——SIP

2.1 Enter the Setting of phone

There are 2 options for network access,



English

atcom Basic Account Network DSS Keys Phone Contacts

Status

Wizard

Internet Port

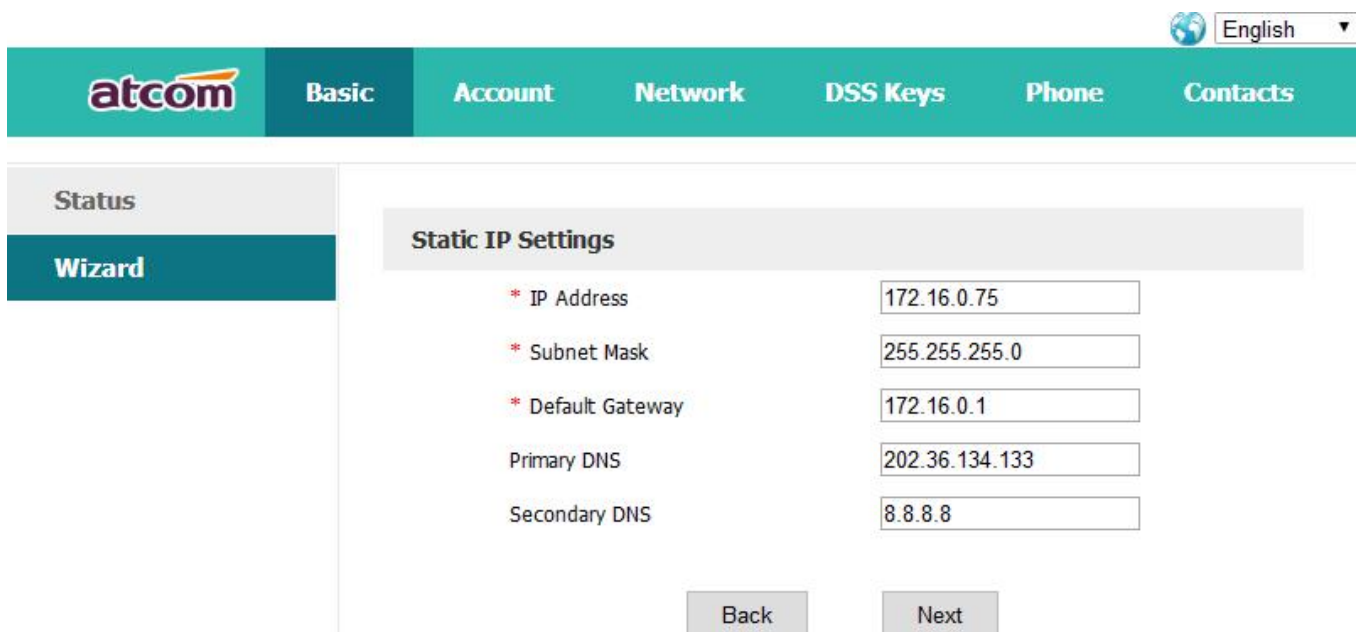
DHCP ⓘ

Static IP Address ⓘ

Next

1.If choose DHCP, the phone will be assigned a IP address automatically, click the button "Next" to enter the web page of "Account Configuration".

2.If choose Static IP, user should input the IP address manually for the phone, click the button "Next" to enter the web page of "Static IP Address".



English

atcom Basic Account Network DSS Keys Phone Contacts

Status

Wizard

Static IP Settings

* IP Address 172.16.0.75

* Subnet Mask 255.255.255.0

* Default Gateway 172.16.0.1

Primary DNS 202.36.134.133

Secondary DNS 8.8.8.8

Back Next

After IP address filled manually, click the button "Next" to enter the web page of "Account Configuration", or click the button "Back" to back to web page of "Network Configuration".

Network Configuration can be completed in below webpage:

Via web **"Network"**→**"Basic"**

- Basic
- Wi-Fi
- Advanced

Internet Port

DHCP *i*
 Static IP Address *i*

* IP Address
 * Subnet Mask
 * Default Gateway

Static DNS Off On *i*
 Primary DNS
 Secondary DNS

Confirm Cancel

2.2 Account Configuration

The account configuration info will be saved to Line.

- Status
- Wizard**

SIP Settings

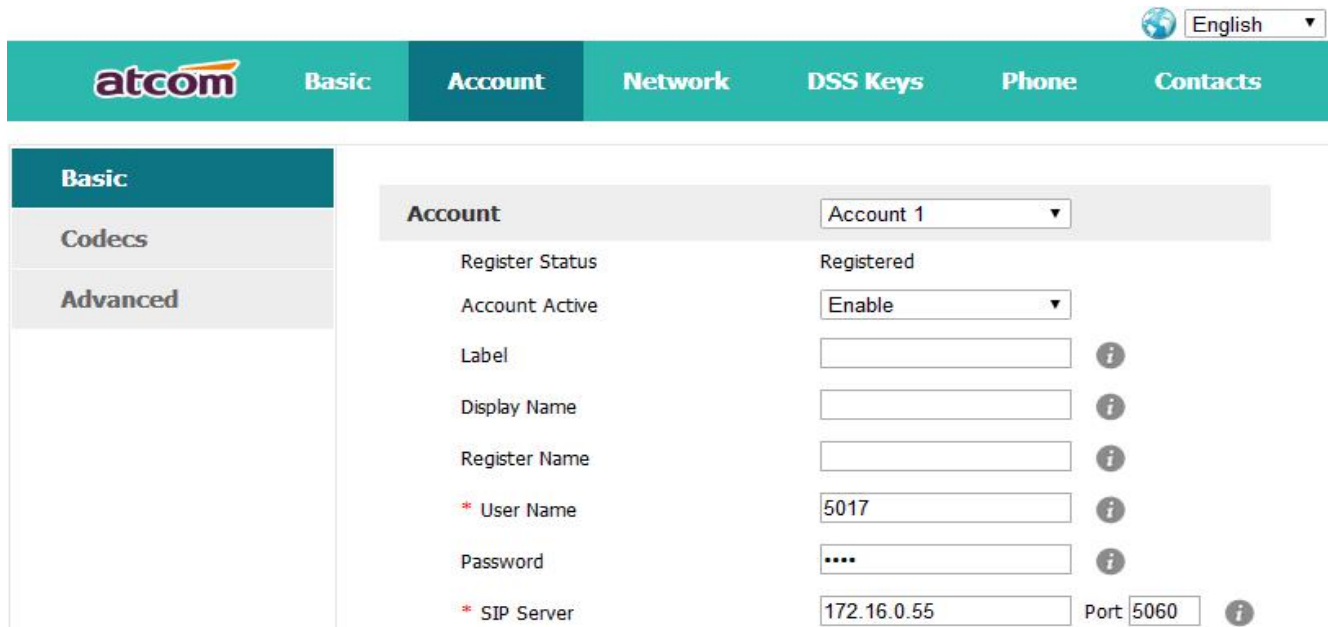
Account Active *i*
 Label *i*
 Display Name *i*
 Register Name *i*
 * User Name *i*
 Password *i*
 * SIP Server Port *i*

Back Finish

Click the button "Finish" to save network configuration and account configuration, and click "Back" back to the previous web page.

Account Configuration can be completed in below webpage:

Via web "**Account**"→"**Basic**"

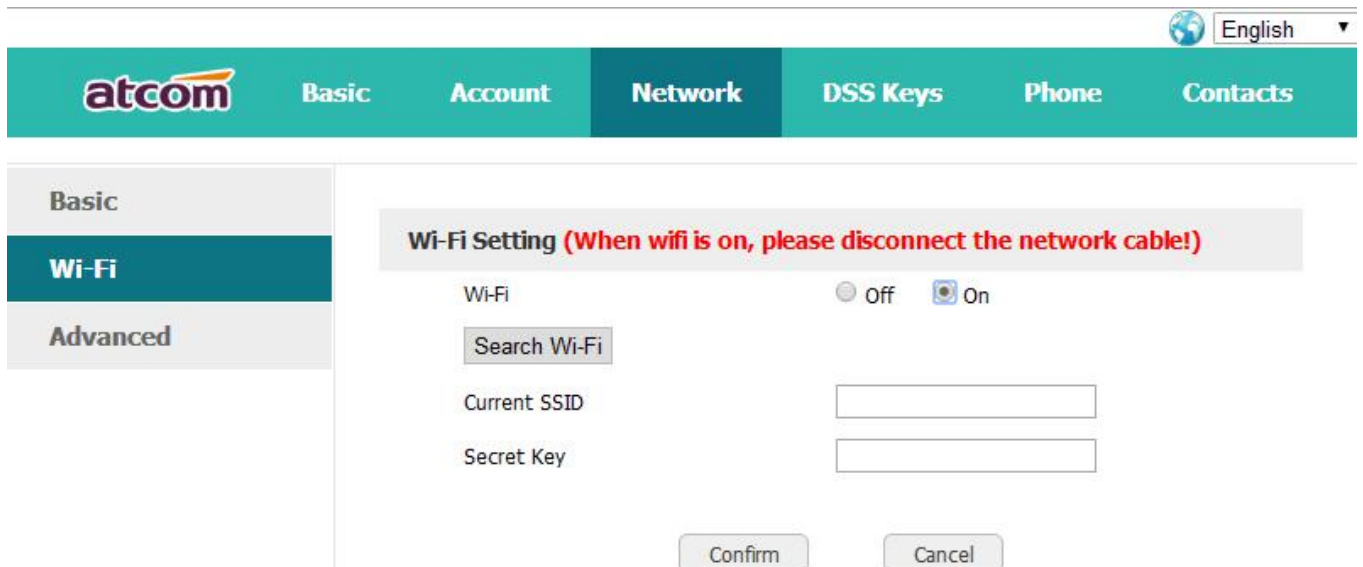


The screenshot shows the 'Account' configuration page in the atcom web interface. The top navigation bar includes 'Basic', 'Account', 'Network', 'DSS Keys', 'Phone', and 'Contacts'. The left sidebar has 'Basic', 'Codecs', and 'Advanced' options. The main content area displays the 'Account' configuration form with the following fields:

- Account: Account 1 (dropdown)
- Register Status: Registered
- Account Active: Enable (dropdown)
- Label: (text input)
- Display Name: (text input)
- Register Name: (text input)
- * User Name: 5017 (text input)
- Password: (password input)
- * SIP Server: 172.16.0.55 (text input) Port: 5060 (text input)

2.3 Configure the WiFi on the WEB

A10W connect to network via Wi-Fi acquiescently, click "**Search Wi-Fi**" button to search the available Wi-Fi.





The screenshot shows the 'Wi-Fi Setting' page in the atcom web interface. The top navigation bar includes 'Basic', 'Account', 'Network', 'DSS Keys', 'Phone', and 'Contacts'. The left sidebar has 'Basic', 'Wi-Fi', and 'Advanced' options. The main content area displays the 'Wi-Fi Setting' form with the following fields:

- Wi-Fi: Off (radio button) On (radio button)
- Search Wi-Fi: (button)
- Current SSID: (text input)
- Secret Key: (text input)
- Confirm: (button)
- Cancel: (button)

After all available Wi-Fi hotspots are list out, click the round behind the available Wi-Fi which you want to connect.

Index	SSID	Signal	Select
1	cisco	211	<input type="radio"/>
2	360	207	<input type="radio"/>
3	re	207	<input type="radio"/>
4	amoji	205	<input type="radio"/>
5	CHINA TELECOM	205	<input type="radio"/>
6	360_____WIFI-C9	197	<input type="radio"/>
7	_____	197	<input type="radio"/>
8	_____	190	<input type="radio"/>
9	inWatch3	189	<input type="radio"/>
10	ChinaNet-7A6t	188	<input type="radio"/>
11	360_____WIFI-9F	185	<input type="radio"/>
12	iTV-7A6t	185	<input type="radio"/>
13	inWatch2	185	<input type="radio"/>
14	Royale International China	184	<input type="radio"/>

Input the right “**Secret Key**” and then click the “**Confirm**” button, the phone will reboot, after rebooting, the Wi-Fi icon will display on the home screen, it means connect failed when the icon come with , then you should check the configuration. if the icon come with , it means connect successfully.