

# **A40/A41(W) Quick Start Guide**

Version: 2.0

2017-5-26

## Content

1. Installation and access.....	3
1.1. Power up.....	3
1.2. Connection.....	4
1.3. Installation instruction.....	5
1.4. Wiring instruction.....	7
1.5. Check IP.....	8
1.6. Enter the Setting of telephone.....	8
2. Quick Configuration.....	9
2.1. Enter the Setting of phone.....	9
2.2. Account Configuration.....	11
2.3. Configure the WiFi on the WEB.....	12

## 1. Installation and access

### 1.1. Power up

- 1) Plug in the power jack with DC 5V/1000mA or POE
- 2) It will display Welcome logo and all the led will be lighted once.
- 3) After absolute boot up, User can select the Language and time manually, and choose to connect the WIFI or not in the WIFI phone.



## 1.2. Connection

### 1) Connect to network

#### Connect network cable:

A40/A41(W) is able to be connected with network via LAN port. Under the Bridge mode, other devices (Laptop, IP phone) is able to access network via the PC port of A40/A41(W).

Look as below scene:



#### Connect WiFi:

Look as below scene:



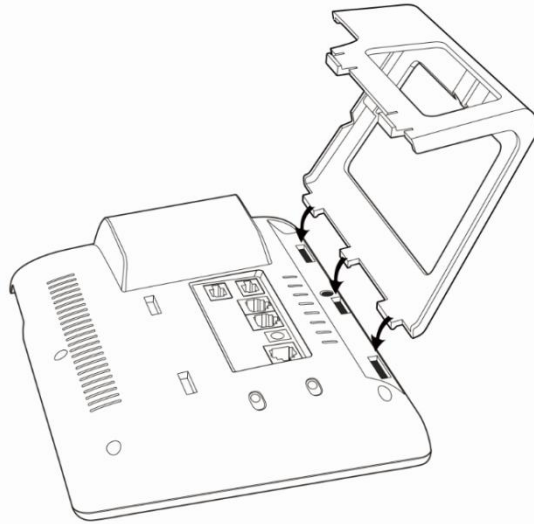
1. Press **"Menu"**→**"WIFI Settings"**→**"Switch"**, open the WiFi connection mode.
2. Please move the navigation key to check the WIFI you want to connect, Press **"Connect"**, then input the correct WiFi password.

3. Return to the standby interface, and phone successful connected to the WiFi.

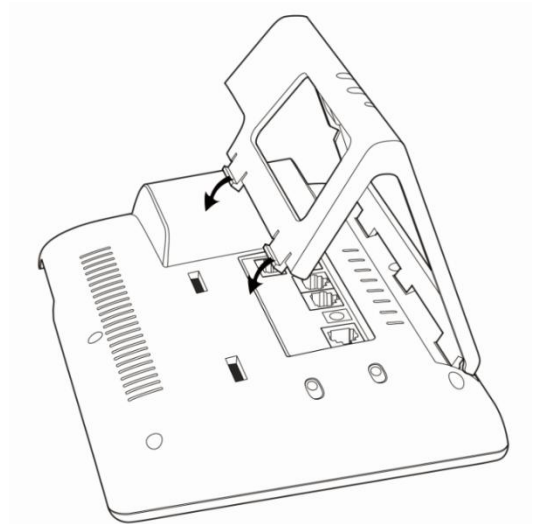
### 1.3. Installation instruction

#### 1. Stand bracket installation instruction

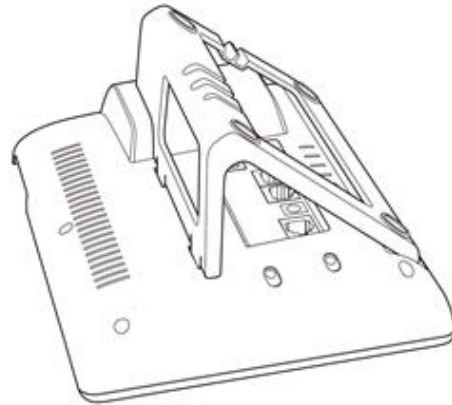
A. Put the bottom side of the IP phone upside and press one-side joints of stand bracket into the slot, please refer the picture as below:



B. Press the other side joints into the slot according to the direction of the arrow:

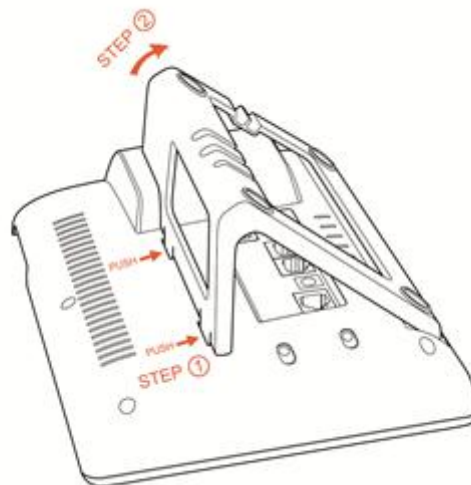


C. It is the right picture after fixing the stand bracket below:

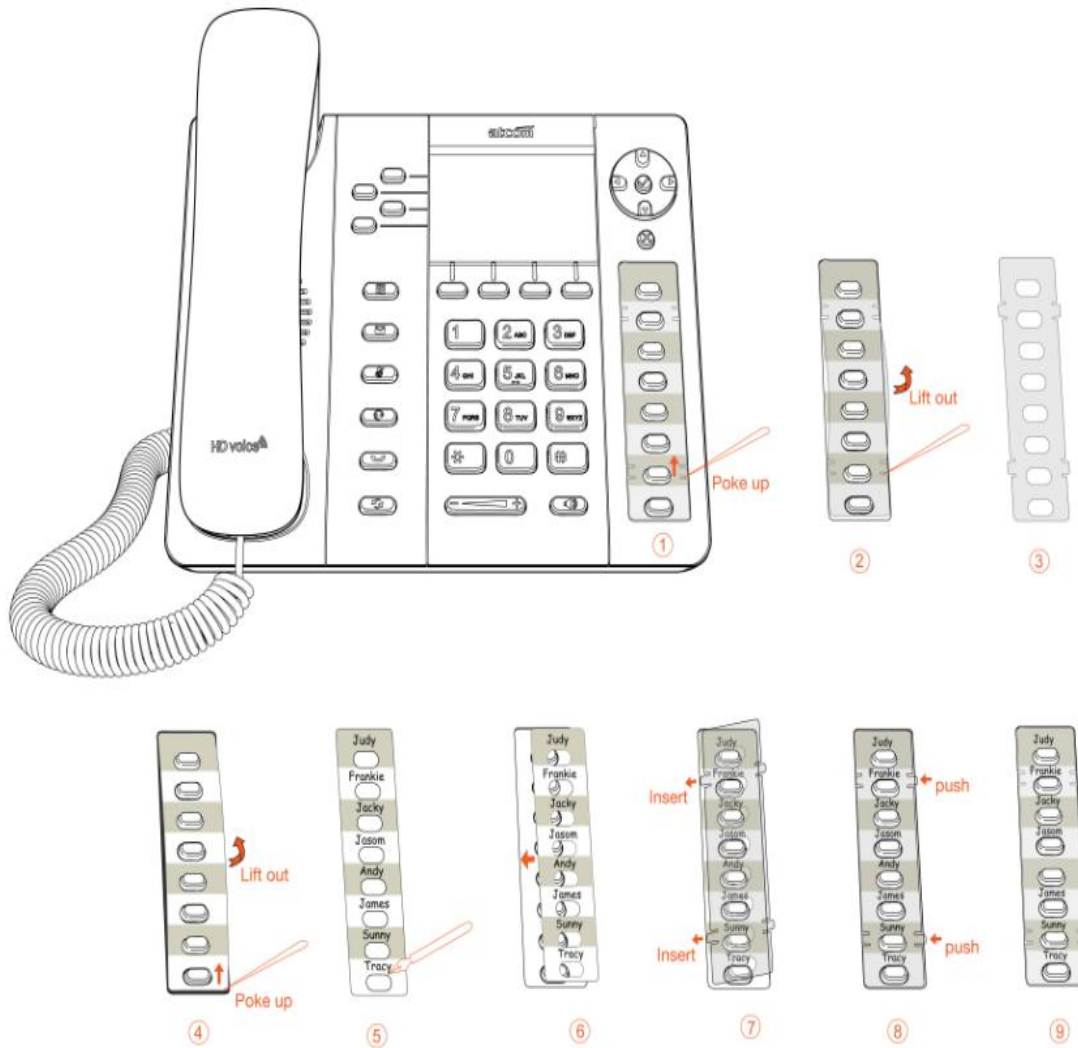


D. Disassemble the stand bracket:

Push the spring joint of stand and pull the stand according to the direction of the arrow. When the joints are pulled out of the slot, you can take off the stand bracket



## 2. Programmable keys' paster using instruction



Step1. Use needle or some other tools to insert into the hole of the plastic sheet, hog the plastic sheet.

Step2. Lift out the plastic sheet

Step3. Take off the plastic sheet

Step4. Use needle or some other tools to insert into the edge of the paster, hog and lift out the paster

Step5. Write down the identification of each programmable key on the paster after taking off the paster

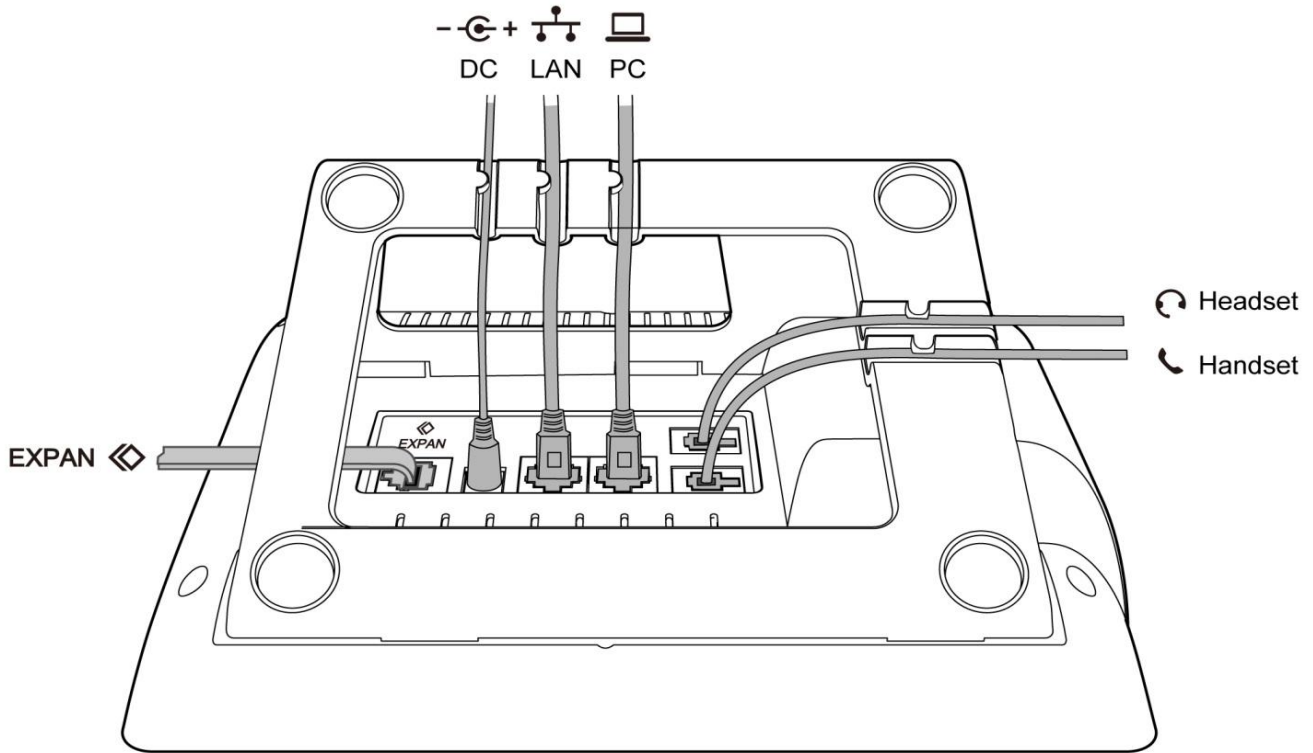
Step6. Put back the paster

Step7. Insert the plastic sheet into the slot

Step8. Push the other side of the plastic sheet into the other slot


### 1.4. Wiring instruction

After stand bracket fixed, please plug in all wires or cables as below:



### 1.5. Check IP

The phone uses DHCP mode by default,

You can review its current IP address by pressing  key when it is powered on and connected to the network.

### 1.6. Enter the Setting of telephone

Connect the PC and telephone in the same network, input the IP address of telephone at a browser and press "Enter", you will be required to input the username and password to access the web page. The username/password as below:

Username	Password	Description
admin	admin	For Administrators
user	user	For General Users



## 2. Quick Configuration

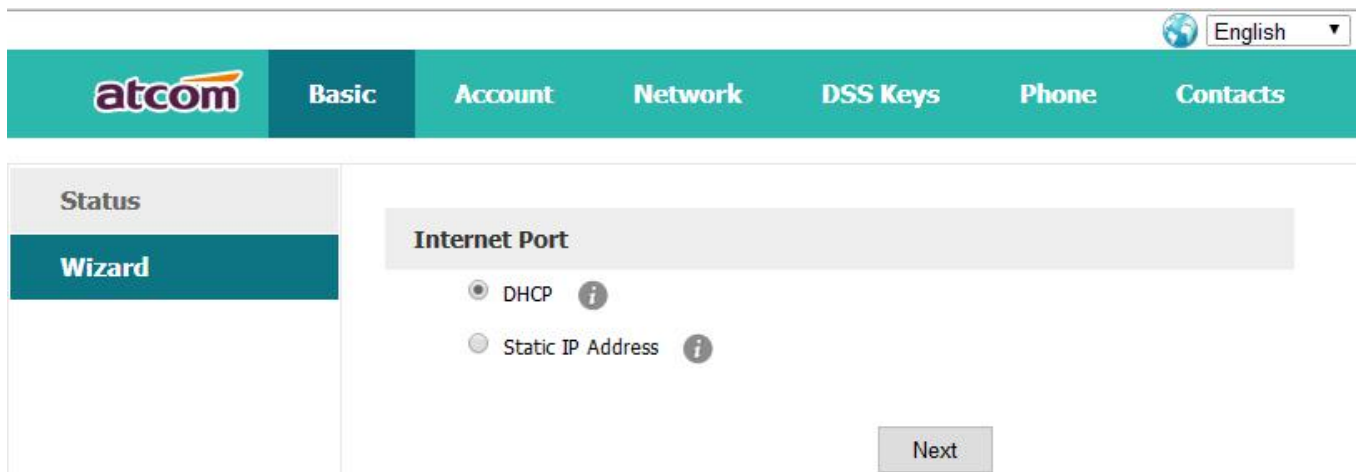
After login to the webpage, you're able to set the phone by quick configuration. Configure it quickly via Web: **"Basic"→"Wizard"**

User should set the below two parts in turn,

- 1.Network——LAN Port
- 2.Account——SIP

### 2.1. Enter the Setting of phone

There are 2 options for network access,



The screenshot displays the atcom web interface. At the top right, there is a language dropdown menu set to 'English'. Below this is a teal navigation bar with the atcom logo and menu items: 'Basic', 'Account', 'Network', 'DSS Keys', 'Phone', and 'Contacts'. On the left side, there is a sidebar with 'Status' and 'Wizard' (highlighted in teal). The main content area is titled 'Internet Port' and contains two radio button options: 'DHCP' (which is selected) and 'Static IP Address'. Each option has an information icon (i) to its right. A 'Next' button is located at the bottom right of the configuration area.

1.If chosen DHCP, the phone will be assigned a IP address automatically, click the button "Next" to enter the web page of "Account Configuration".

2.If chosen Static IP, user should input the IP address manually for the phone, click the button "Next" to enter the web page of "Static IP Address".

English ▼

atcom
Basic
Account
Network
DSS Keys
Phone
Contacts

Status

Wizard

**Static IP Settings**

* IP Address	<input type="text" value="172.16.0.75"/>
* Subnet Mask	<input type="text" value="255.255.255.0"/>
* Default Gateway	<input type="text" value="172.16.0.1"/>
Primary DNS	<input type="text" value="202.36.134.133"/>
Secondary DNS	<input type="text" value="8.8.8.8"/>

Back
Next

After IP address filled manually, click the button "Next" to enter the web page of "Account Configuration", or click the button "Back" to back to web page of "Network Configuration".

Network Configuration can be completed in below webpage:

Via web **"Network"→"Basic"**

English ▼

atcom
Basic
Account
Network
DSS Keys
Phone
Contacts

Basic

Wi-Fi

Advanced

**Internet Port**

DHCP i

Static IP Address i

* IP Address	<input type="text" value="172.16.0.75"/>
* Subnet Mask	<input type="text" value="255.255.255.0"/>
* Default Gateway	<input type="text" value="172.16.0.1"/>

Static DNS  Off  On i

Primary DNS	<input type="text" value="202.36.134.133"/>
Secondary DNS	<input type="text" value="8.8.8.8"/>

Confirm
Cancel

## 2.2. Account Configuration

The account configuration info will be saved to Line.

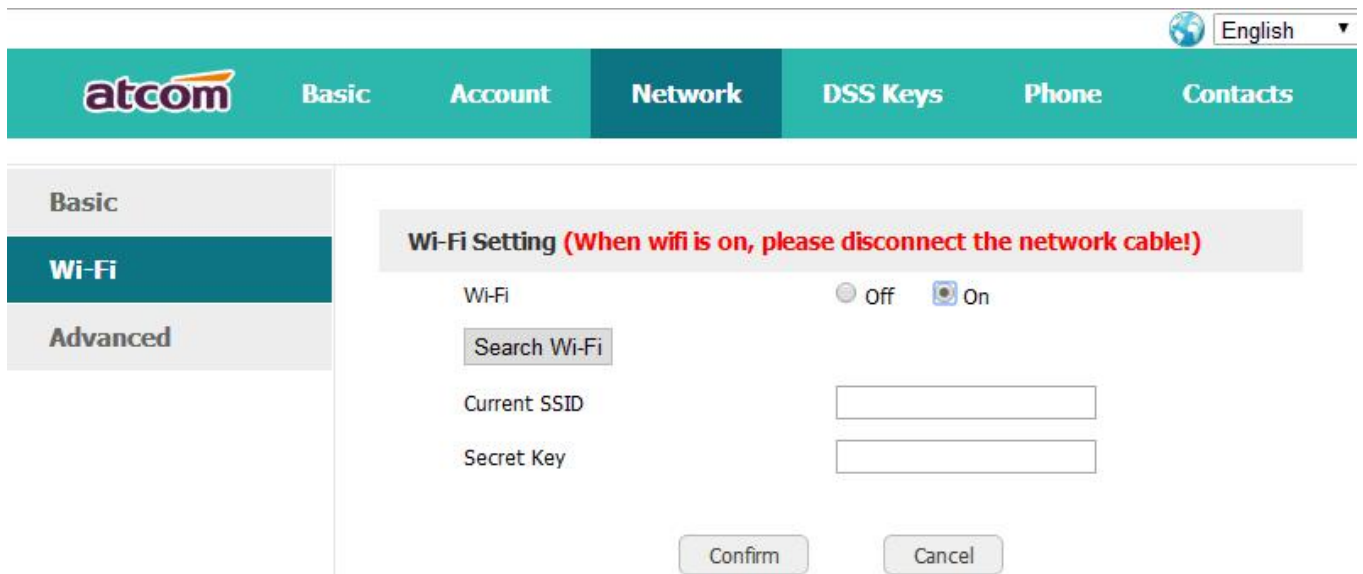
Click the button “Finish” to save network configuration and account configuration, and click “Back” back to the previous web page.

Account Configuration can be completed in below webpage:

Via web “**Account**”→“**Basic**”



### 2.3. Configure the WiFi on the WEB

A41W connect to network via Wi-Fi acquiescently, click "**Search Wi-Fi**" button to search the available Wi-Fi.



After all available Wi-Fi hotspots are list out, click the round behind the available Wi-Fi which you want to connect.

Index	SSID	Signal	Select
1	cisco	211	<input type="radio"/>
2	360	207	<input type="radio"/>
3	re	207	<input type="radio"/>
4	amoji	205	<input type="radio"/>
5	CHINA TELECOM	205	<input type="radio"/>
6	360____WIFI-C9	197	<input type="radio"/>
7		197	<input type="radio"/>
8		190	<input type="radio"/>
9	inWatch3	189	<input type="radio"/>
10	ChinaNet-7A6t	188	<input type="radio"/>
11	360____WIFI-9F	185	<input type="radio"/>
12	ITV-7A6t	185	<input type="radio"/>
13	inWatch2	185	<input type="radio"/>
14	Royale International China	184	<input type="radio"/>

Input the right "**Secret Key**" and then click the "**Confirm**" button, the phone will reboot, after rebooting, the Wi-Fi icon will display on the home screen, it means connect failed when the icon come with , then you should check the configuration. if the icon come with , it means connect successfully.